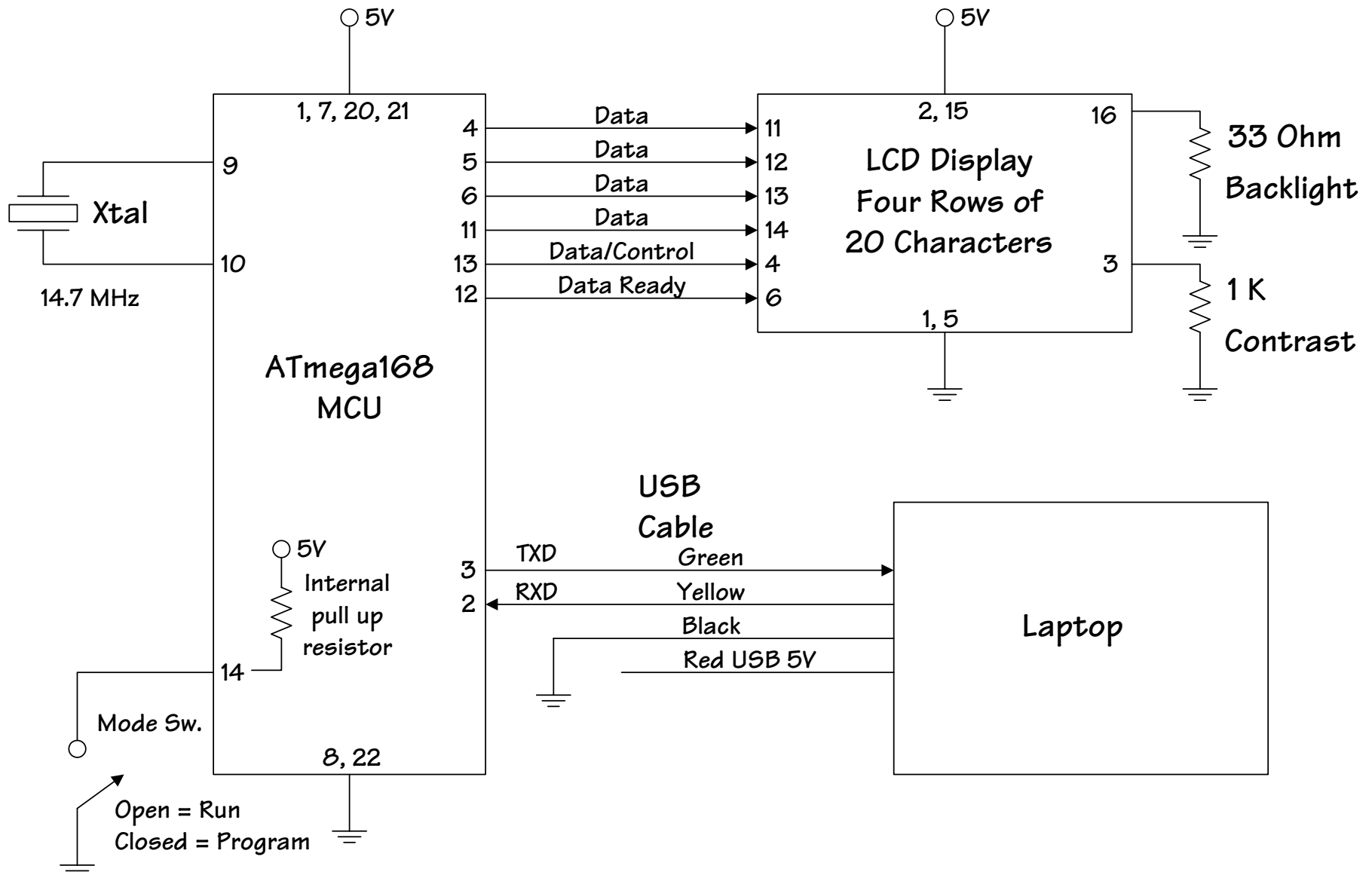


# Basic Wiring Diagram for the ATmega168 MCU



Note: Pin 14 can be an input or an output.  
We are dedicating pin 14 to the Program/Run function.

Rev. 9/21/15